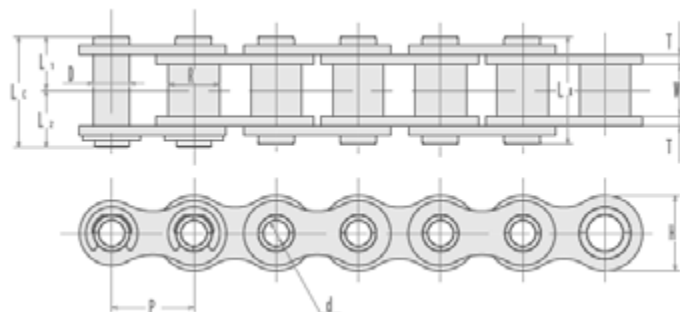
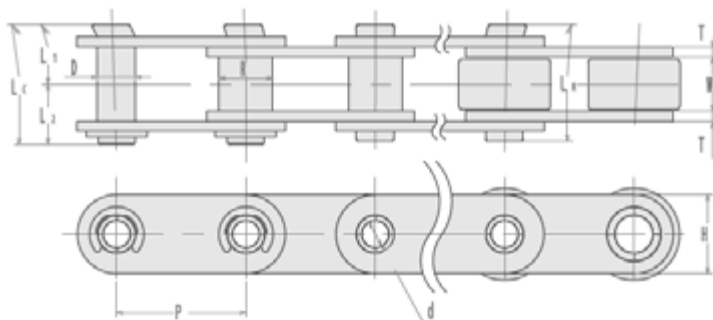


SY Hollow pin chains are identical to ANSI roller chains, and run on standard ANSI sprockets. The unique hollow pin feature provides unlimited conveyor versatility, allowing easy insertion of cross rods or attachments to pre-assembled chain at desired spacing. For identification, the suffix HP is added to the chain numbers.



SY Chain No. (ANSI)	Dimensions - mm										Transverse Pitch	Average Ultimate Strength	Maximum Allowable Load	Average Chain Weight
	Pitch	Bushing		Pin				Plate						
		Width	Dia.	Dia.	Length			Height	Thick.					
	P	W	R	D	LR	LC	L1	L2	H	T1				
40-HP	12.70	7.95	7.92	6.63	4.03	16.7	17.6	8.4	9.2	12	1.5	12.7	1.77	58
50-HP	15.875	9.53	10.16	7.09	5.13	20.1	21.3	10.1	11.2	15	2	19.6	3.14	0.97
60-HP	19.05	12.7	11.91	8.29	6.04	26	27.2	13	14.2	18.1	2.4	28.4	4.22	1.46
80-HP	25.40	15.88	15.88	11.34	8.08	32.4	34.3	16.2	18.1	24.1	3.2	51	7.65	2.47

SY Hollow pin chains with oil less parts are quality chains functioning rationally, combining both advantages of hollow pin chains and self-lube chains. Available on the same sprockets as double-pitch roller chains.



SY Chain No. (ANSI)	Dimensions - mm										Transverse Pitch	Average Ultimate Strength	Maximum Allowable Load	Average Chain Weight
	Pitch	Bushing		Pin				Plate						
		Width	Dia.	Dia.	Length			Height	Thick.					
	P	W	R	D	LR	LC	L1	L2	H	T1				
C 2040 -HP	25.40	7.95	7.92	5.63	4.03	16.7	17.6	8.4	9.2	12.0	1.5	12.7	1.77	0.46
C 2050 -HP	31.75	9.53	10.16	7.09	5.13	20.1	21.3	10.1	11.2	15	2.0	19.6	3.14	0.76
C 2060 -HP	38.1	12.7	11.91	8.29	6.04	26	27.2	13	14.2	18.1	2.4	28.4	4.22	1.12
C 2080 -HP	50.8	15.88	15.88	11.34	8.08	32.4	34.3	16.2	18.1	24.1	3.2	51.0	7.65	1.98
C 2042 -HP	25.40	7.95	15.88	5.63	4.03	16.7	17.6	8.4	9.2	12.0	1.5	12.7	1.77	0.81
C 2052 -HP	31.75	9.53	19.05	7.09	5.13	20.1	21.3	10.1	11.2	15.0	2.0	19.6	3.14	1.25
C 2062 -HP	38.10	12.70	22.23	8.29	6.04	26.0	27.2	13	14.2	18.1	2.4	28.4	4.22	1.79
C 2082 -HP	50.80	15.88	28.58	11.34	8.08	32.4	34.3	16.2	18.1	24.1	3.2	51.0	7.65	3.17
C 2082H -HP	50.80	15.88	28.58	11.34	8.08	35.8	37.7	17.9	19.8	24.1	4.0	58.0	7.65	3.22